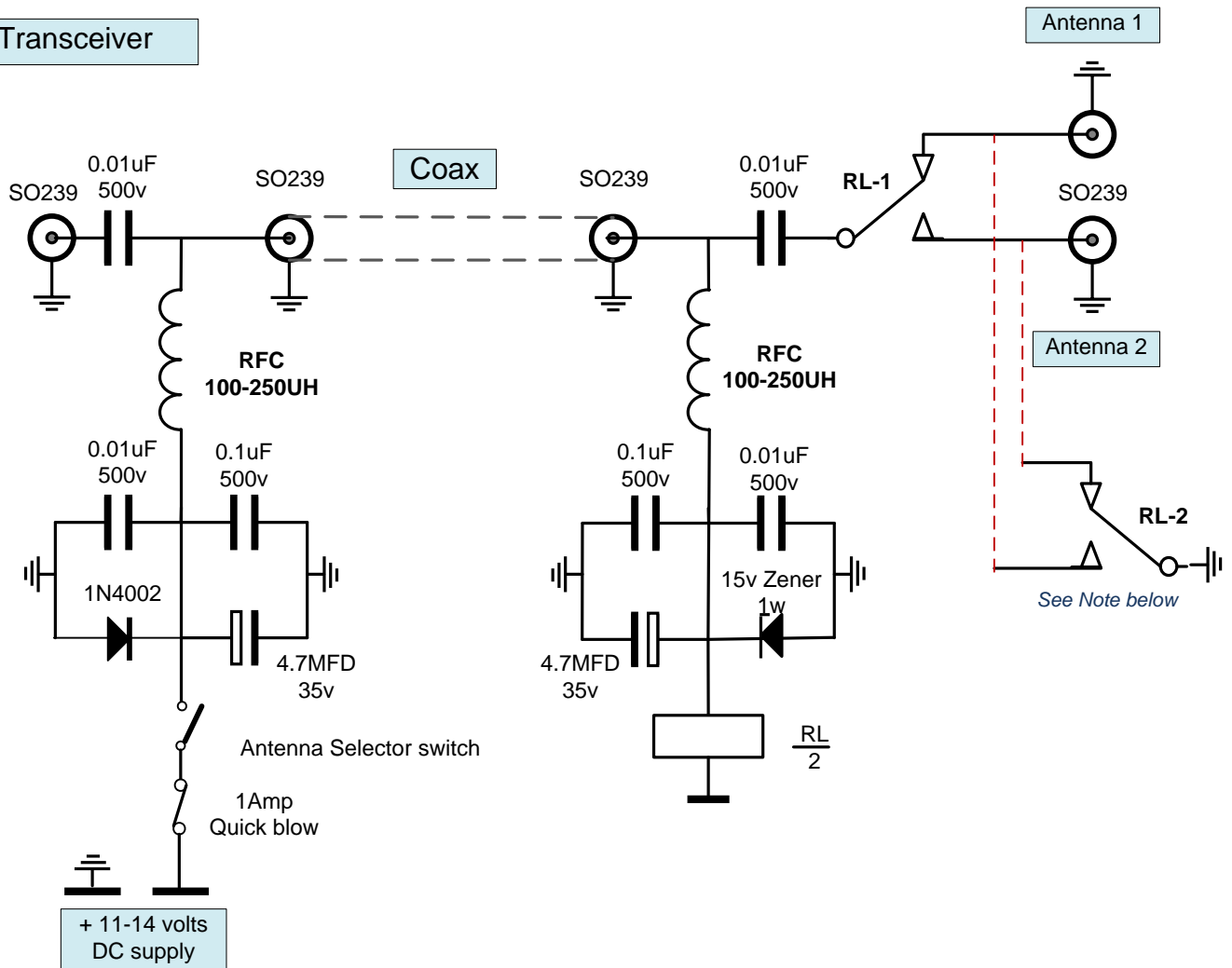


Remotely Operated HF Antenna Switches



2-WAY REMOTELY OPERATED HF ANTENNA SWITCH

Transceiver



NOTES:-

(Based on an idea supplied by G3YEU)

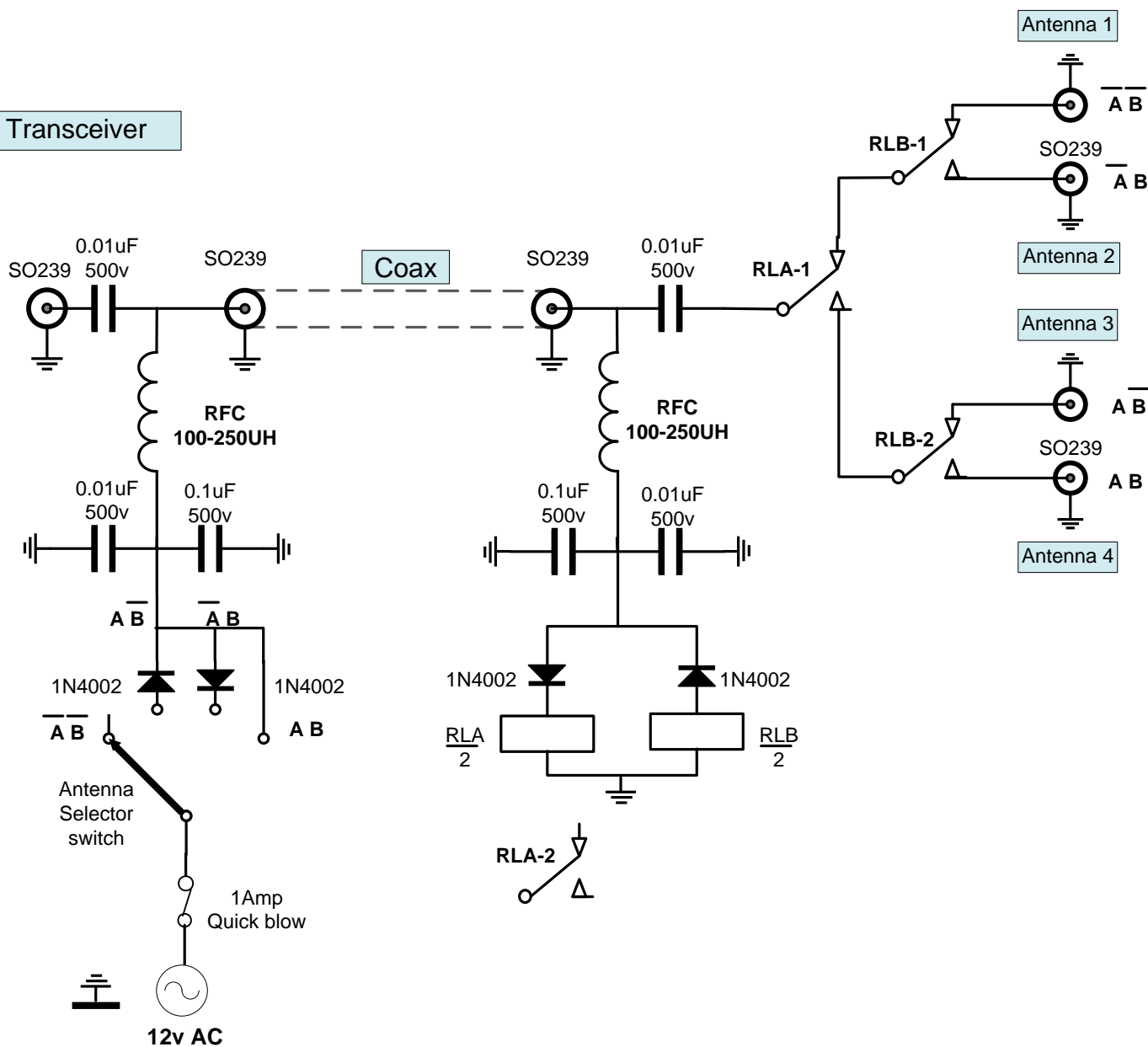
1. All RF - connections are made RG58 using coaxial cable
2. The 100uH choke will provide 1100ohms reactance at 1.8MHz and will not affect any SWR readings
3. The Changeover relay has a 12 v dc operating coil, and heavy duty contacts rated at 5Amps of more.
A suitable 11 pin "octal -Type" plug in relay with a transistor buffer is RS 348-245 relay
4. All RF connectors are high quality PTFE SO239 type.
5. The layout is not critical, and a water-proofed plastic box can be used.
6. If required the second relay contact can be used to earth the antenna that is not being used

Remotely Operated HF Antenna Switches



4-WAY REMOTELY OPERATED HF ANTENNA SWITCH

Transceiver



NOTES:-

(Development of an idea supplied by G3YEU)

1. All RF - connections are made RG58 using coaxial cable
2. The 100uH choke will provide 1100ohms reactance at 1.8MHz and will not affect any SWR readings
3. Each 2-changeover relay has a 12 v dc operating coil, and heavy duty contacts rated at 5Amps or more. A suitable 11 pin "octal -Type" plug in relay with a transistor buffer is RS 348-245 relay
4. All RF connectors are high quality PTFE SO239 type.
5. The layout is not critical, and a water-proofed plastic box can be used.