

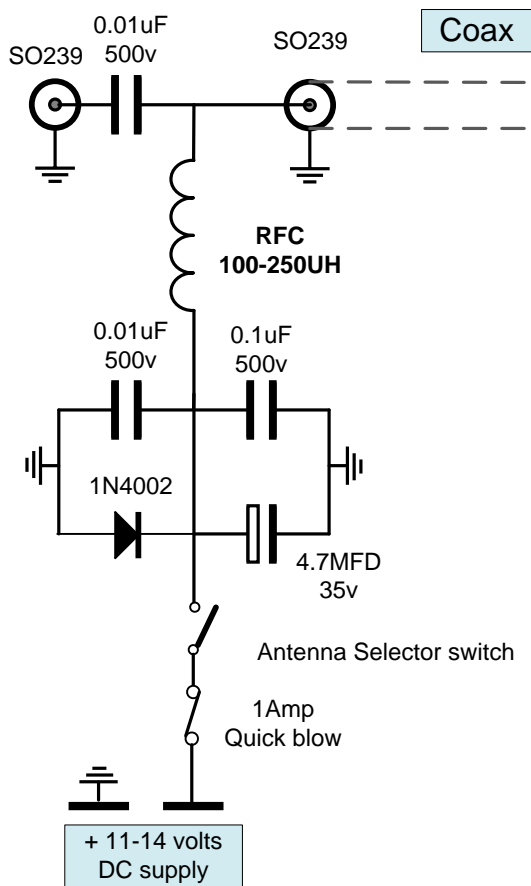
Remotely Operated HF Antenna Switches

<http://www.rsars.org.uk/ELIBRARY/docsants.htm>

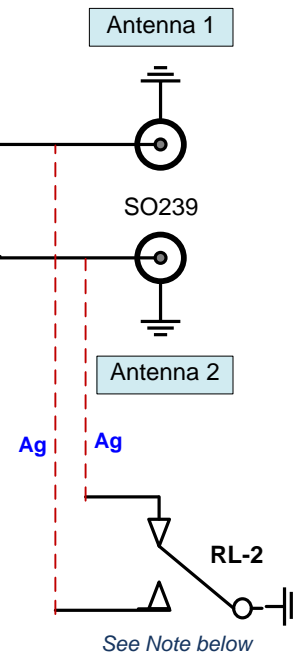
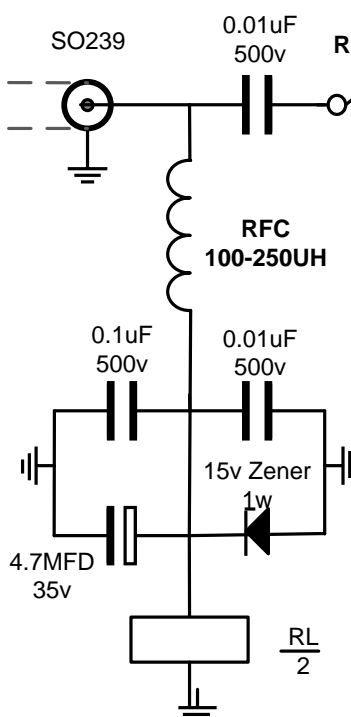


2-WAY REMOTELY OPERATED HF ANTENNA SWITCH

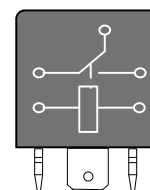
Transceiver



Coax



IMO
SRJH-1C-CA-SL-12vDC
NO/NC 40/30A



Suggested plug-in relay

NOTES:-

(Based on an idea supplied by G3YEU)

1. All RF - connections use RG58 coaxial cable- the screens are connected at the SO239 sockets only.
2. A 100uH choke will provide 1100ohms reactance at 1.8MHz and will not affect any SWR readings
3. The Changeover relay has a 12 v dc operating coil, and heavy duty contacts rated at 5Amps or more. A suitable 11 pin "octal -Type" plug in relay with a transistor buffer is RS 348-245 relay or IMO Plug-in relay part SRJH-1C-CA-SL-12vDC with 30-40 amp contacts or the similar 12 volts car relays can be used
4. All RF connectors are high quality PTFE SO239 type.
5. The layout is not critical, and a water-proofed plastic box should be used.
6. If required the second relay contact can be used to earth the antenna that is not being used. Inter-contact connections shown Ag are kept as short as possible using 14# silver plated wire.

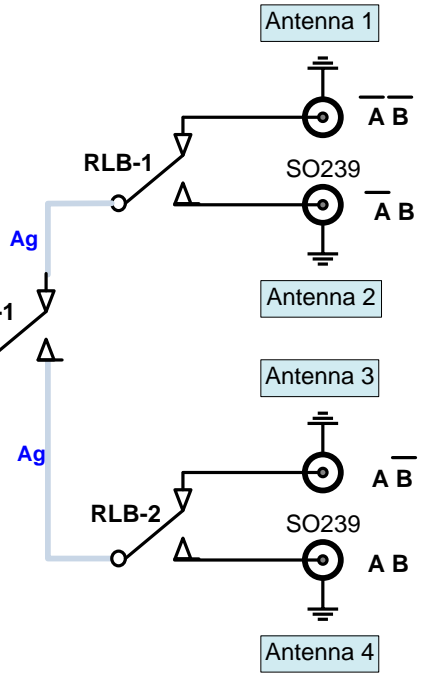
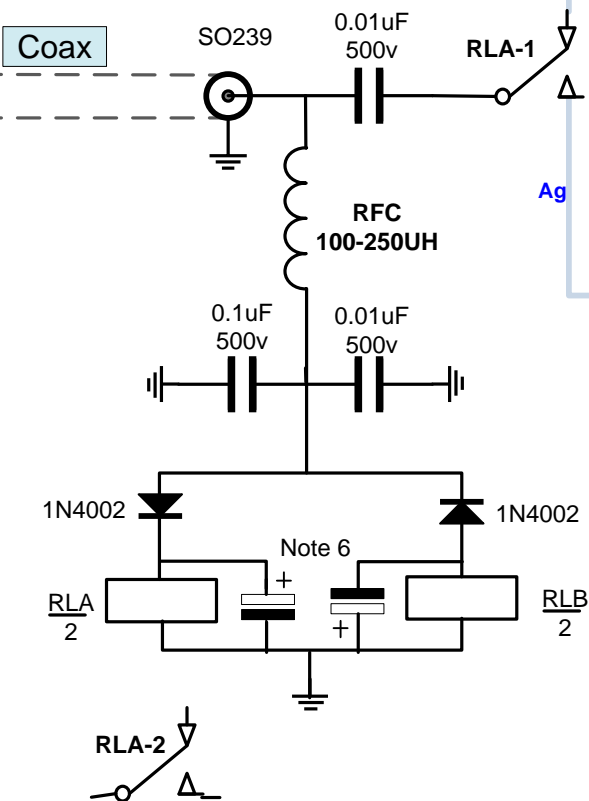
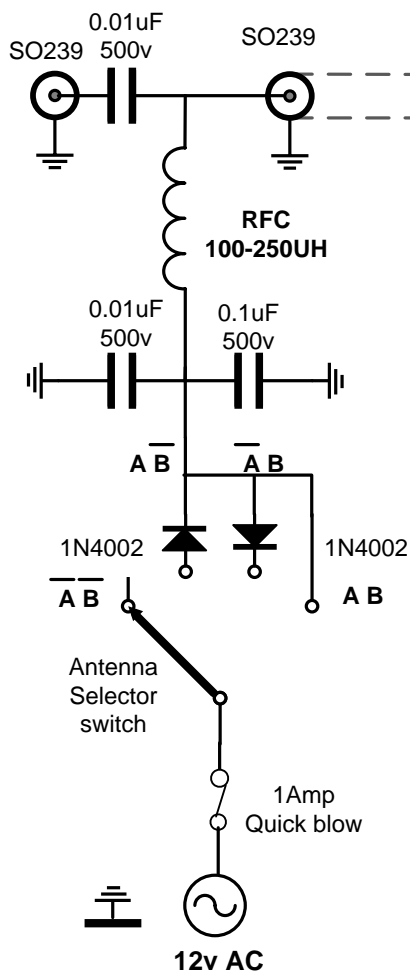
Remotely Operated HF Antenna Switches

<http://www.rsars.org.uk/ELIBRARY/docsants.htm>



4-WAY REMOTELY OPERATED HF ANTENNA SWITCH

Transceiver



IMO
SRJH-1C-CA-SL-12vDC
NO/NC 40/30A

Suggested plug-in relay

NOTES:-

(Development of an idea supplied by G3YEU)

1. All RF - connections use RG58 coaxial cable- the screens are connected at the SO239 sockets only. Inter-contact connections shown **Ag** are kept as short as possible using 14# silver plated wire.
2. A 100uH choke will provide 1100 ohms reactance at 1.8MHz and will not affect any SWR readings
3. Each 2-changeover relay has a 12 v dc operating coil, and heavy duty contacts rated at 5 Amps or more. A suitable 11 pin "octal -Type" plug in relay with a transistor buffer is RS 348-245 relay or IMO Plug-in relay part SRJH-1C-CA-SL-12vDC with 30-40 amp contacts or the similar 12 volts car relays can be used
4. All RF connectors are high quality PTFE SO239 type.
5. The layout is not critical, and a water-proofed plastic box should be used.
6. The Electrolytic capacitors across RLA & RLB need to be 150-220 uF 25-35v working. Some experimenting may be required depending on the size of the relays used, and if a quenching diode is fitted across the coil.